



# Industrial Computers InTouch Thin Client

## Series D

### Complete Your Standardization on First Class Hardware

- Reduce installation, test, implementation, and maintenance time and effort
- Remove hardware/software incompatibility issues
- Gain flexibility with hardware independence
- Standardize and Save on Best in class
- Trust in a single source solution



[wonderware.com/hmi-scada/industrial-computers](http://wonderware.com/hmi-scada/industrial-computers)

# Industrial Computers InTouch Thin Client Series D

## Product at a glance

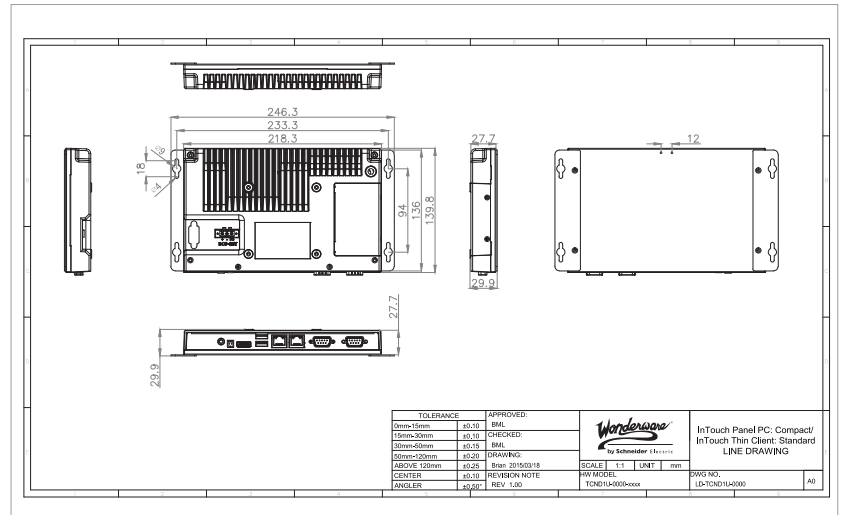
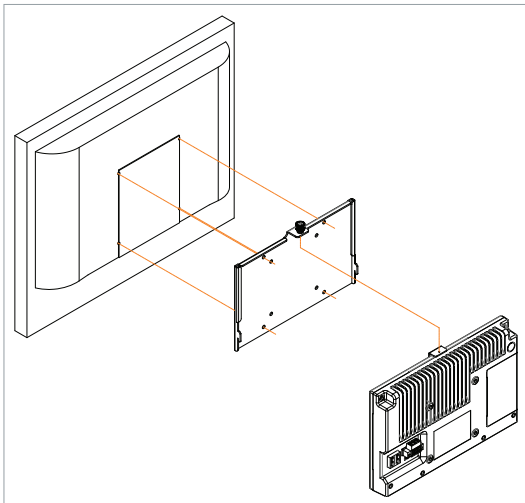
- Multi-display – 2 monitors – Enhanced Versatility
- Widescreen and high resolution up to 1920 x1200 – Lower User fatigue
- Cable-free solid-state design – Increases reliability
- VESA mount available – Special environments

## InTouch Thin Client Standard Benefits

InTouch Thin Client hardware are the perfect complement to hardware/software standardization and reduction in total cost of ownership efforts. In addition to the dual-monitor “headless” device, the InTouch Thin Client has several touch displays options: 7”, 10.1”, 12.1” and 15”. The VESA-patterned mounting adapter for the “headless device” enables you to mount the machine to the back of a standard monitor.

## Just One Number to Call for Support!

We offer local support on a global scale from more than 200 locations around the globe, plus 1,500 Certified System Integrators, and with 24/7/365 technical support. Both hardware and software are supported by our award-winning Wonderware technical support organization.



# Industrial Computers InTouch Thin Client

## Series D

### Standard Specifications

InTouch Thin Client: Standard	
<b>Software Configuration</b>	
OS	InTouch Machine Edition, InTouch Runtime, InTouch for System Platform
<b>System Hardware</b>	
Processor	Intel® Celeron™ N2930 Quad-Core Celeron 1.83 GHz
Memory	4 GB DDR3
Expandable	N
Graphics Processor	Intel HD graphics; DirectX 11.1, OpenCL /GL,4K videos Quick Sync encoder
<b>Drives</b>	
Mass Storage	Not applicable
Drive Mounting	On board removable
Built-in Disaster Recovery	N
<b>Interface Ports</b>	
Ethernet	2 x 10/100/1000 Mbps (isolated)
USB	2 or 3* x USB 2.0, 1 x USB 3.0
Serial	1 x RS-232/422/485, 1/2* x RS-232
External Video	1 x HDMI, 1 x VGA**
Audio	Line Out
<b>General Features</b>	
Modular Components	N
Fanless	Y
Expansion Slots	N
Rated Input Voltage	9-36 VDC (100-240 VAC external adapter included)
<b>Environmental</b>	
Protection Class	Front: IP65/NEMA 4; Rear: IP20 / Fanless
Operating temperature	0°C to 50°C (32°F to 122°F)
Operating humidity	10 to 90% at 40°C (non-condensing)
Storage temperature	-25°C to +60°C (-13°F to 140°F)
Shock	DIN EN 60068-2-27/Operating: 15G, 11 ms duration
Vibration	DIN EN 60068-2-64/Operating: 10-500 Hz: 1G/3 axis
MTBF	LED-backlight: 100,000 hours in Eco mode
<b>Certifications</b>	
<b>Safety Standards</b>	
Europe	CE, based on 2006/95/EC
U.S.A. / Canada	UL/cUL/CB 61010, UL/cUL/CB 62368
<b>EMC Standards</b>	
Europe	EN 61000-6-4, EN 61000-6-3, CISPR22, RoHS
U.S.A. / Canada	FCC47 CFR PART 15; Class A level; IECS-003 Class B

\* 7" has 2 x USB 2.0. 10.1", 12.1" & 15" have 3 x USB 2.0 ports | \*\* On headless only

# Industrial Computers InTouch Thin Client

## Series D

### Physical Dimensions/Power

Size	Display Material	Touch Type	Aspect Ratio	Resolution	Brightness	Cutout Dimensions (W x H)	Overall Dimensions (W x H x D)	Weight (kg / lb)	Power (W)	Current A (@ 24VDC)
Headless	n/a	n/a	n/a	n/a	n/a	n/a	246.3 x 139.8 x 29.9 mm	2.5 / 1.4	9	0.38
7"	Aluminum	Capacitive (Multi)	16:10	800 x 480	350	192 x 138 mm	202 x 149 x 39 mm	1.2 / 2.6	15	0.63
10.1"	Aluminum	Capacitive (Multi)	16:10	1280 x 800	350	272 x 176 mm	285 x 189 x 49 mm	2.1 / 4.6	12	0.50
12.1"	Aluminum	Capacitive (Multi)	4:3	800 x 600	330	303 x 229 mm	319 x 245 x 52 mm	2.5 / 5.5	14	0.58
15"	Aluminum	Capacitive (Multi)	4:3	1024 x 768	330	392 x 292 mm	401 x 310 x 55 mm	4.4 / 9.7	16	0.67

### Further Information

For more information on how Wonderware software can help you, visit our site: [wonderware.com/hmi-scada/industrial-computers](http://wonderware.com/hmi-scada/industrial-computers) Or contact your local Wonderware distributor.

### The Industry's Leading Ecosystem

Our worldwide Partner Ecosystem represents thousands of partners all with the goal of helping you succeed. They can help you with InTouch as well as the full breadth of our Enterprise Control offerings.

**Authorized Distributors** – Our distributors combine their knowledge of our products with a clear understanding of your needs to assist you in the selection and purchase of the Wonderware products and related technologies.

**System Integrator Partners** – Our integrator partners can deliver cost effective solutions using our products across all industries, including yours. Today our Wonderware system integrator community includes more than 3,500 engineering firms worldwide.

**Industry Solution Partners** – Our solution partners work closely with application software providers, OEMs and VARs to offer industry-specific solutions.

**Partner Products** – These complementary products add value to solutions and expand the value of our solutions to our customers.



**HELSINKI**  
tel. +358 9 540 4940  
info@klinkmann.fi

**RĪGA**  
tel. +371 6738 1617  
info@wonderware.lv

**VILNIUS**  
tel. +370 5 215 1646  
info@wonderware.lt

**TALLINN**  
tel. +372 668 4500  
info@wonderware.ee